

MF Mechanical Force Gauges

MF Series Mechanical Force Gauges with Peak Force Analysis

Incredibly durable and user-friendly, the economical MF mechanical force gauges are excellent for push/pull force testing in manufacturing, material testing, maintenance and inspection applications. The peak force mode features an easy push-button reset; this is especially helpful for doing repetitive testing in an assembly line or in quality control. The large dial indicator allows viewing of force changes as they occur. This large dial reduces the chance for parallax errors when taking readings. The MF was ergonomically designed for handheld use, but may also be used with the optional handle-great for loads over 15 pounds (6.8 kg). Due to its mechanical design, response time is immediate. Calibration is achieved by a set of precisely matched springs which are overload protected to 165 pounds (75 kg)! MF gauges feature a die-cast aluminum housing which mounts easily to all Shimpo Instruments test stands for even greater control of repetitive testing. All standard Series MF gauges include a protective carrying case plus attachment adapters. A complete kit is available that includes adapters, padded ERGO accessories, handle, large rugged case and NIST traceable certificate. This kit is perfect for the professional Physical Therapist or Ergonomist that performs Isokinetic testing or job task analysis.



Features

- Outstanding $\pm 0.2\%$ F.S. accuracy makes the MF's Ideal even for the strictest applications
- Precision gauge movement provides a quick response for instantaneous analysis
- Measures Tension and Compression Forces - Only one gauge required for insertion withdrawal tests
- Real Time Mode or Peak Mode enables flexibility to view live readings or maximum values recorded
- Smooth mechanical operation with precise action produces repetitive, proper readings
- Exceptionally rugged die-cast aluminum housing enables usage in harshest conditions
- Overload protected to 165 pounds (74.84 kg) protects gauge from accidental damage
- Peak Mode Reset is an ideal for repetitive peak testing applications
- English and metric models available satisfies many testing parameters
- Compact, ergonomic design is perfect for handheld use
- Rear threaded inserts makes it easy to mount to test stands
- Two year warranty provides peace of mind



MF in Standard Carrying Case

Included Attachments



Large V-Hook



Flat Head



Chisel



Cone Head



Notched Head



Hook



Large Hook



Extension Rod

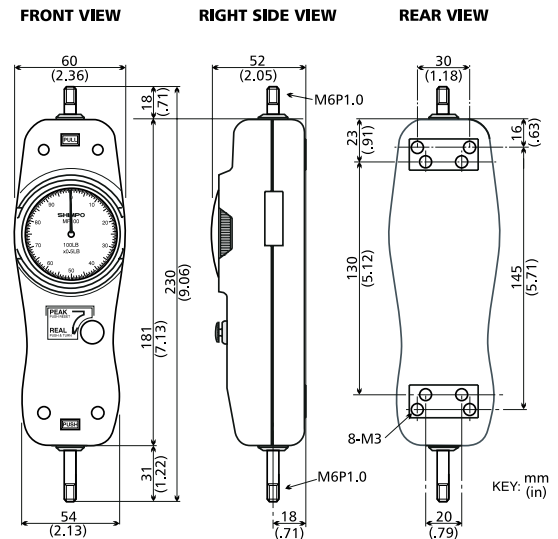
A Nidec Group Company

SHIMPO - All for dreams

MF Series Specifications

Accuracy	±0.2% F.S.
Display Analog	2" in diameter (50 mm); rotatable 360° for taring purposes
Live/Peak Mode	Selectable
Needle Update	Immediate
Threaded Insert	Eight M3 inserts
Overload Capacity	165 lbs (75 kg)
Product Weight	1.6 lbs (0.73 kg)
Package Weight	4 lbs (1.81 kg)
Included Accessories	Carrying case and attachments (flat head, hook, chisel, notched head, cone head, extension rod, large hook and large V-hook)

MF Series Dimensions



Ordering Details

English Dial Model	MF-2	MF-5	MF-10	MF-20	MF-30	MF-50	MF-100	
Capacity	2 lb	5 lb	10 lb	20 lb	30 lb	50 lb	100 lb	
Dial Graduation	0.01 lb	0.025 lb	0.05 lb	0.1 lb	0.2 lb	0.25 lb	0.5 lb	
Metric Dial Model	MF-1KG	MF-2KG	MF-3KG	MF-5KG	MF-10KG	MF-20KG	MF-30KG	MF-50KG
Capacity	1 kg	2 kg	3 kg	5 kg	10 kg	20 kg	30 kg	50 kg
Dial Graduation	0.005 kg	0.001 kg	0.02 kg	0.025 kg	0.05 kg	0.1 kg	0.2 kg	0.25 kg

Options

MF-PT100	100 lb range MF in ergonomic testing kit. Kit includes: rugged carrying case, attachments (flat head, hook, chisel, notched head, cone head, extension rod, large hook and large V-hook), padded ERGO accessories, handle adapter, NIST traceable certificate
MF-PT50KG	Same as MF-PT100 with 50 kg range MF Force Gauge
NIST-FG	NIST traceable certificate of calibration

Accessories*

F6-M6ADP-AL	Adapter kit includes: Chisel, Cone, Flat Head, Hook, Extension Rod
F6-M6CL-AL	Aluminum chisel adapter, M6 thread
F6-M6CN-AL	Aluminum cone head adapter, M6 thread
F6-M6FL-AL	Aluminum flat head adapter, M6 thread
F6-M6GV-AL	Aluminum notched head adapter, M6 thread
F6-M6HK-AL	Aluminum hook adapter, M6 thread
F6-M6RD-AL	Aluminum extension rod, M6 thread
F6-M6HKL-AL	Aluminum large hook adapter, M6 thread
F6-M6FKL-AL	Aluminum large forked V-hook adapter, M6 thread
ERGO-KIT	Padded accessory kit for ergonomic testing
MFP-HANDLE	Handle adapter for heavy loads

*Note: Additional accessory adapters available. Please contact the factory.

DISTRIBUTED BY:

A Nidec Group Company
SHIMPO — All for dreams



Optional MFP-Handle
Ideal for Heavy Loads



MF with FGS-100H
Manually Operated Test Stand (sold separately)